

Features

- Ideal for commercial installations.
- Antimicrobial finish inhibits the growth of mold-, mildew-, stain-, and odor-causing bacteria on the fixture surface. This product does not protect users against bacteria, viruses, or other disease organisms. Always clean and wash this product thoroughly before and after each use.
- Two-piece design.
- 1.28 gpf (4.8 lpf).
- Durable metal right-hand Polished Chrome trip lever.
- 2-1/8" (54 mm) fully glazed trapway.
- Easy-to-service silicone seal.
- Sanitary guard where bowl and tank meet for ease of cleaning.
- Encapsulated bolts prevent rust and corrosion.
- Combination consists of the K-25096-SS bowl and K-25100-RA tank.

Technology

- Single-flush gravity uses the force of gravity and a precision-engineered tank, bowl, and trapway to create a strong siphon during flushing.
- Class Five® flushing technology offers virtually plug-free performance and rinsing power for a clean bowl.
- Class Five® canister allows water to flow out of the tank from all sides (360 degrees), increasing the power and effectiveness of the flush.
- Flush valve's 3:2 ratio harnesses the natural force of gravity and optimizes flush performance.
- Durable canister design has 90% less exposed seal material than a 3" flapper for leak-free performance.

Installation

- Three-bolt quick-connect installation.
- Standard 12" (305 mm) rough-in.
- Seat and supply line sold separately.

Recommended Products/Accessories

- K-7637 Angle Supply with Stop (single)
- K-5420 Low-Profile Bolt Caps
- K-20111 Brevia™ Quiet-Close™ Round-Front Toilet Seat
- K-4660 Lustra™ Round-Front Toilet Seat
- K-23726 Drain treatment

Included Components

Product consists of:

- K-25096-SS round-front toilet bowl with antimicrobial finish
- K-25100-RA Toilet tank, 1.28 gpf

Additional Components:

- Bolt cap accessory pack



Codes/Standards

- ASME A112.19.2/CSA B45.1
- DOE - Energy Policy Act 1992
- EPA WaterSense®
- California Energy Commission (CEC)

KOHLER® Toilets and Seats Limited Warranty

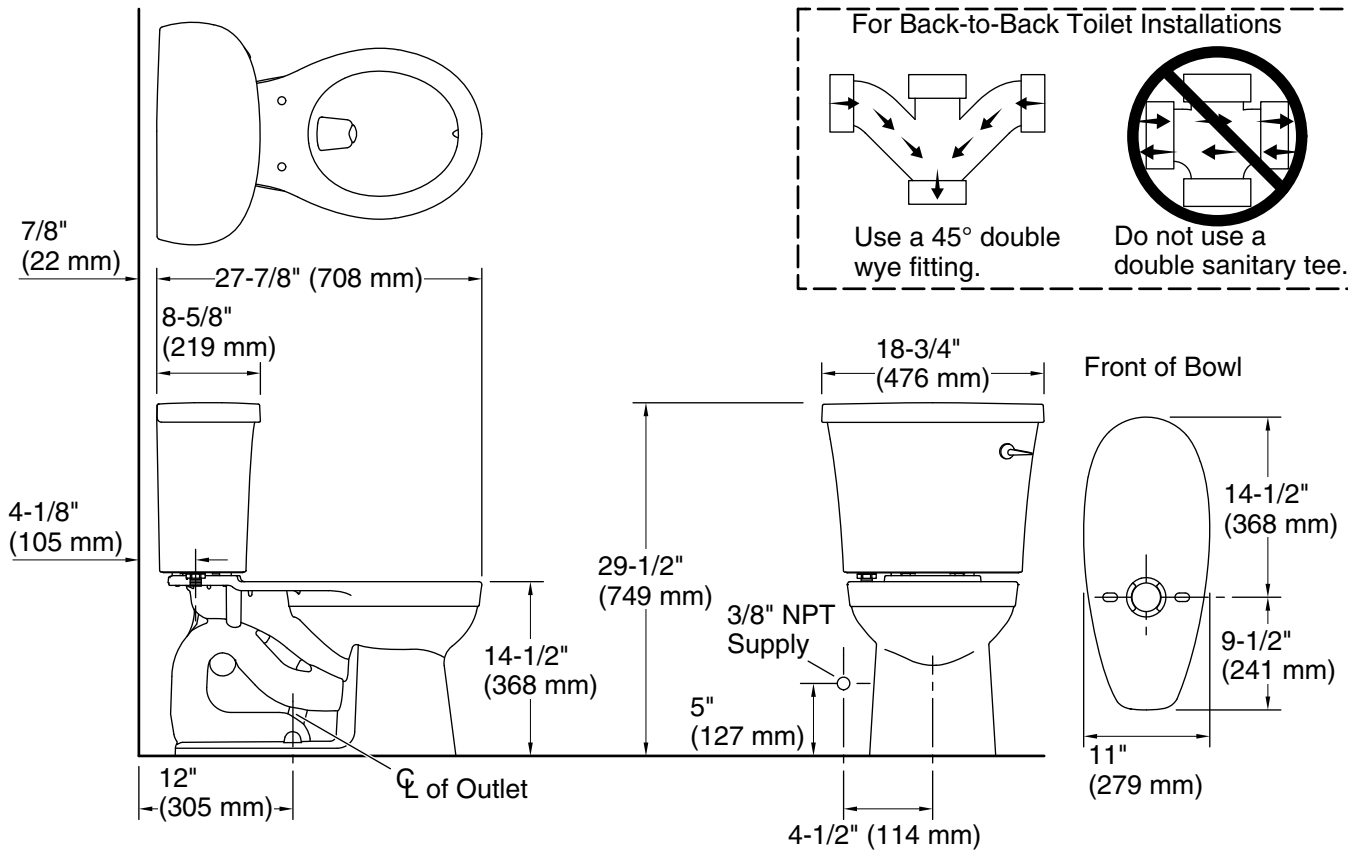
See website for detailed warranty information.

Available Colors/Finishes

Color tiles intended for reference only.

Color Code Description

| | | |
|---|---|-------|
|  | 0 | White |
|---|---|-------|



Technical Information

All product dimensions are nominal.

| | |
|-----------------------|-------------------------------------|
| Toilet type: | Two-piece, Floor-mount |
| Waste Outlet: | Floor |
| Bowl shape: | Round-front |
| Flush type: | Gravity siphon jet |
| Trap passageway: | 2-1/8" (54 mm) |
| Water Consumption | |
| Full: | 1.28 gpf (4.8 lpf) |
| Water surface size: | 10-3/8" x 7-1/16" (264 mm x 179 mm) |
| Rim to water surface: | 5-5/8" (143 mm) |
| Rough-in: | 12" (305 mm) |

Notes

Install this product according to the installation instructions.

For back-to-back toilet installations: Use only a 45° double wye fitting.